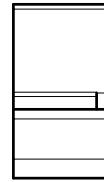
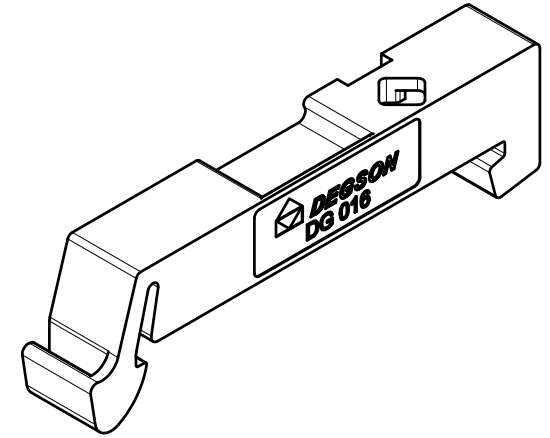


未注公差/General tolerances (mm)													0.1/10
0	>3	>6	>10	>18	>30	>50	>80	>120	>180	>250	>315	>400	
~3	~6	~10	~18	~30	~50	~80	~120	~180	~250	~315	~400	~500	>500
±0.12	±0.18	±0.22	±0.26	±0.31	±0.37	±0.57	±0.80	±0.93	±1.05	±1.15	±1.60	±2.20	±2.50



Note:
The A&Z (H) in the name means: A(H) and Z(H).

ITEM	NAME OF PART	MATERIAL	NOTES
2	Housing	PA66	UL94V-0
1	Underlay	Stainless steel	/

使用温度范围/Operating temperature(°C)	-40~+105
符合RoHS环保要求/Conform to RoHS	Yes

DEGSON		MATERIAL:	SURFACE/COLOR:	
APPD: 兰春华	2023.01.04	MAT NO./REV:	/ 00	
CHKD: 陈招	2023.01.04	NAME		
DRFT: 龚徐涛	2023.01.04	DG016-01P-1Y-00A&Z(H)		
DRAWING NO.	TYPE	DRAWING STATUS	SCALE	SHEET
200029387	CUSTOMER DRAWING	已发布	2:1	1/1

REV	ECN	DESCRIPTION	DRFT	DATE
00			龚徐涛	2023.01.04

Transfer or duplication of this document as well as the utilization or communication of its content are prohibited unless authorized in writing. All rights reserved for patent, utility model or design registrations. 除专利等明确标注外，其他标注均属于本公司保留的知识产权。未经许可，不得复制或传播。 兰洽: 020-82000000