

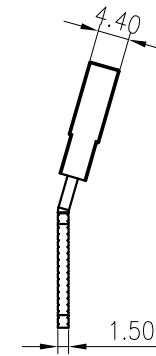
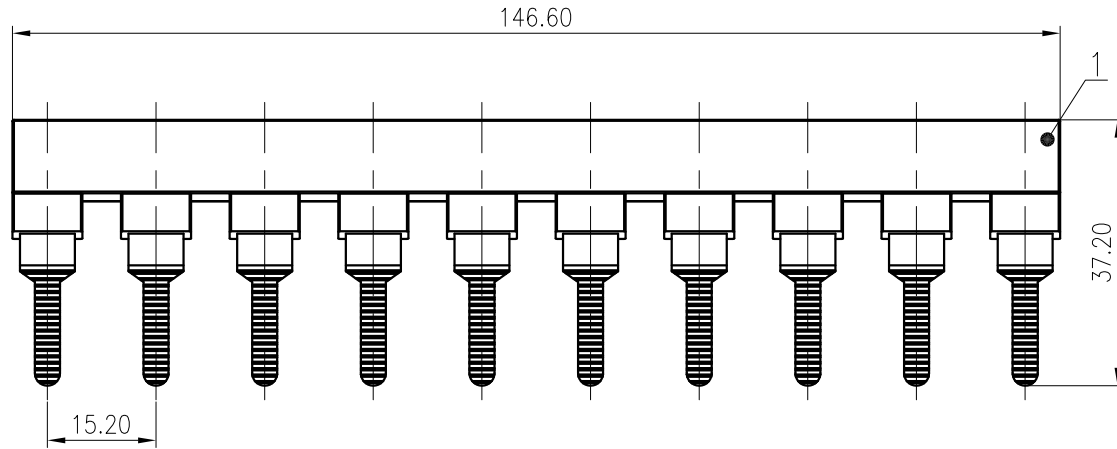
未注公差/General tolerances(mm)													0.1/10
0	>3	>6	>10	>18	>30	>50	>80	>120	>180	>250	>315	>400	
±0.12	±0.18	±0.22	±0.26	±0.31	±0.37	±0.57	±0.80	±0.93	±1.05	±1.15	±1.60	±2.20	±2.50

A

B

C

D



A

B

C

D

1	Bridge		
ITEM	NAME OF PART	MATERIAL	NOTES
	间距/Pitch(mm)/线数范围/Poles		15.2/N=10P
	使用温度范围/Operating temperature(°C)		-40~+105
	符合RoHS环保要求/Conform to RoHS		Yes

MATERIAL: /	SURFACE: /		
MAT NO.: /	宁波高松电子有限公司 NINGBO DEGSON ELECTRICAL CO., LTD		
STATUS: /			
APPD: Li GL 2020.06.10	NAME: EB10-15-1Y-00A(H)		
CHKD: Mao J 2020.06.10	DRAWING NO.: EB10-15-C01		
DRFT: Chen K 2020.06.03	REV	TO	
⊕	SIZE: A4	mm (inch)	TYPE: CUSTOMER DRAWING SCALE: 1:1 SHEET 1/1

REV	ECN	DESCRIPTION	DRFT	DATE