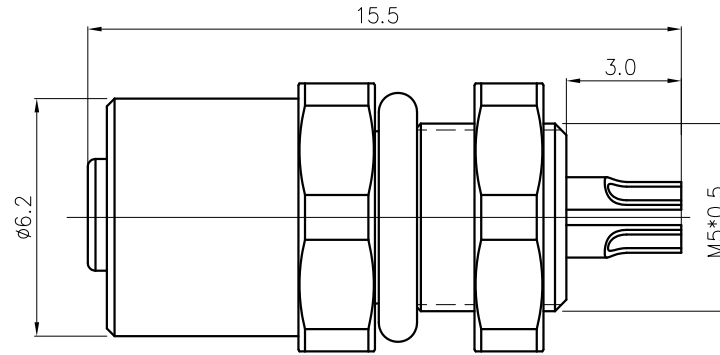
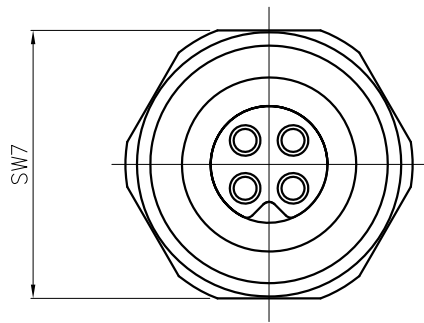


REVISION RECORD

REV	ECN	DESCRIPTION	DRFT	DATE
-----	-----	-------------	------	------



SD-M5A-XXP-FF-SH7001-00A(H)

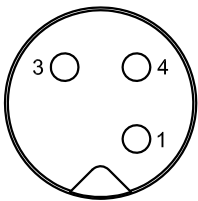
Pin number:03,04

NOTES:

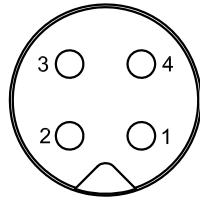
- 1.Rated voltage/current : 60V / 1A
- 2.Withstanding voltage: 800V
- 3.Levels of protection:IP67
- 4.Wire range : 26~24AWG,0.14~0.25mm²
- 5.Wire connection mode:soldering
- 6.Operating temperature: -40°C~+85°C
- 7.For Panel Thickness Range : 2.0~4.0mm
- 8.RoHS Compliance
- 9.Tolerance :
 - .X ±0.25mm
 - .XX ±0.1mm
 - Angles ±1°

3pin A Coding

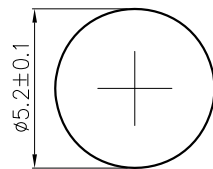
4pin A Coding



Pin Assignment Front View



Pin Assignment Front View



Panel cut

DETACHED LISTS	PART NO.: SDM5AXPFFSH700100AH		宁波高松电子有限公司 NINGBO DEGSON ELECTRICAL CO., LTD	
	APPD:	NAME: SD-M5A-XXP-FF-SH7001-00A(H)		
	CHKD:	TITLE: CUSTOMER DRAWING		
	DRFT: SQ 2019.05.11	REV	D0-1	
THIRD ANGLE PROJECTION		DRAWING NO.: XXXXXXX-XX-CXX	SHEET	1/1
		DO NOT SCALE DRAWING	SCALE	1:1