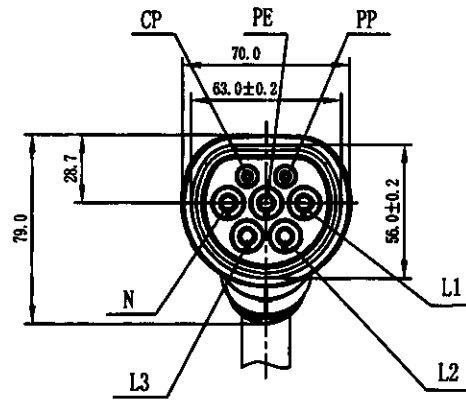


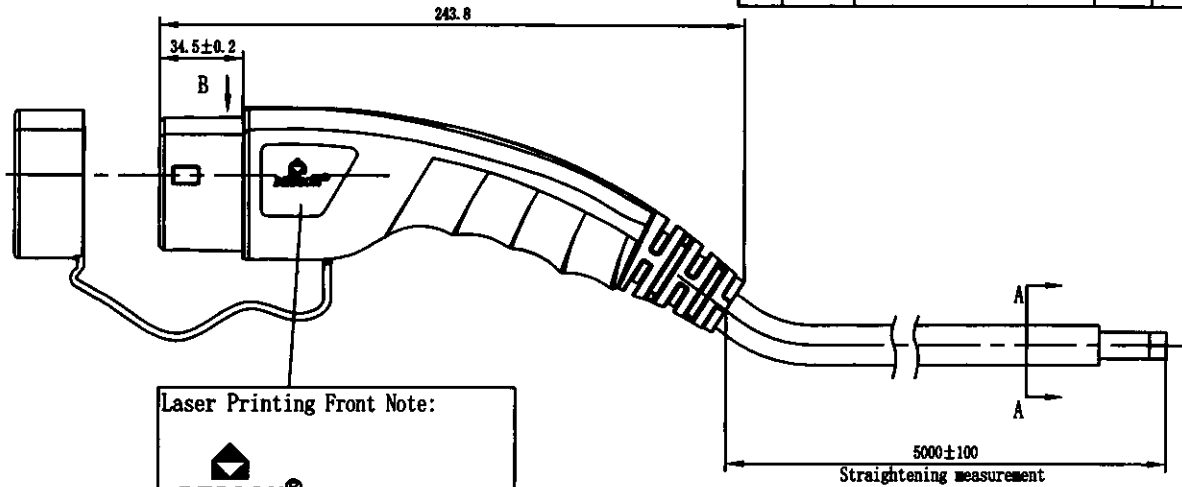
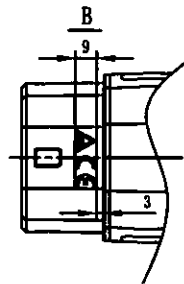
REVISION RECORD				
REV	ECN	DESCRIPTION	DRFT	DATE



Wiring diagram

- L1 6mm² Brown
- Spare L2
- Spare L3
- N 6mm² Blue
- PE 6mm² Yellow/Green
- PP
- CP 0.75mm² Red

RC=220Ω±3%



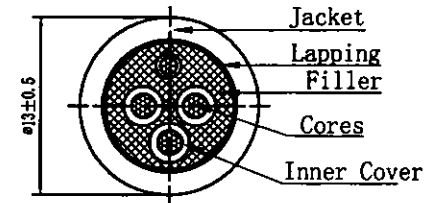
Laser Printing Front Note:



Laser Printing Back Note(Arial) :

MEAC-S-032A-V1-03-5.0M-30AH
 32A 250V AC
 IEC 62196-2:2016
 IP54
 20xxxxxx-xxxx

SEC A-A



Technical parameters

Rated voltage	250V AC
Rated current	32A
Temperature range	-30°C~+50°C
Insulate resistance	>5MΩ, 500V DC 1Min
Withstanding voltage	L、N AND PE, 2500V AC 1Min L AND N, 2500V AC 1Min
Ingress protection	IP54
The insertion/pullout times	10000 TIMES
Insertion/pullout force	<100N
Reference standard	IEC 62196-2:2016

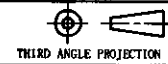
Customer Drawing

NOTES:

1. Cable: EN50620-2017/IEC62893.3 EV 3*6mm²+1*0.75mm² Black
2. RoHS Compliance

Size Measure Range	.XX	.X
≤6	±0.05	±0.10
6~30	±0.10	±0.20
30~120	±0.15	±0.30
120~400	±0.20	±0.50
400~1000	±0.30	±0.80
1000~2000	±0.50	±1.20
Angle Measure Range	.XX	.X
	±0.5°	±1.0°

PART NO. : /	宁波高松电子有限公司 NINGBO DEGSON ELECTRICAL CO., LTD		
APPD: ZX 20200413	NAME: Vehicle Connector (32A AC single phase)		
CHKD: DT 2020.4.13	MEAC-S-032A-V1-03-5.0M-30A(H)		
DRFT: XF LUO 2019-09-26	TITLE: Customer Drawing	REV	D0-1
	DRAWING NO. : /	SHEET	1/1
	(INCH)	DO NOT SCALE DRAWING	SCALE 1:3



THIRD ANGLE PROJECTION