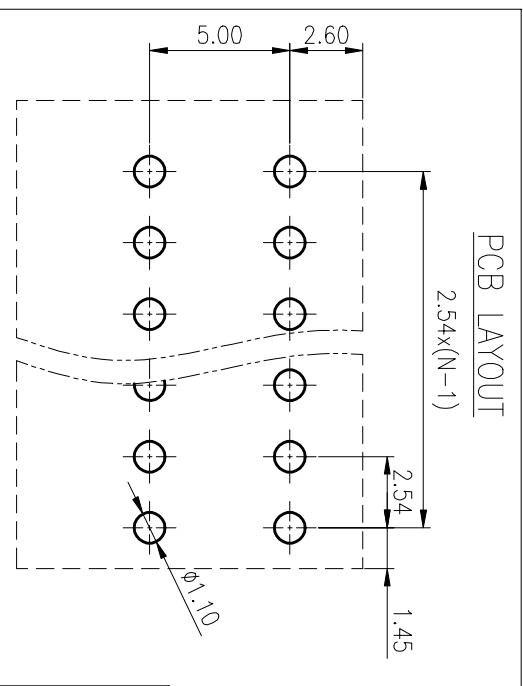
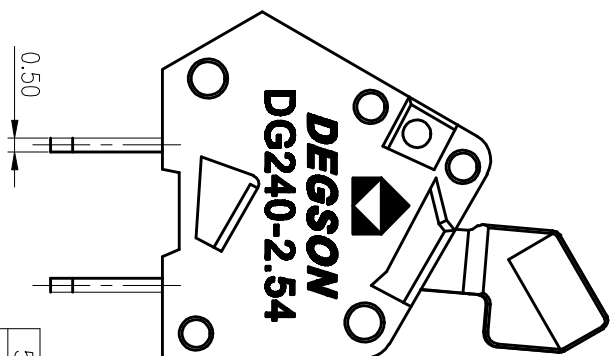
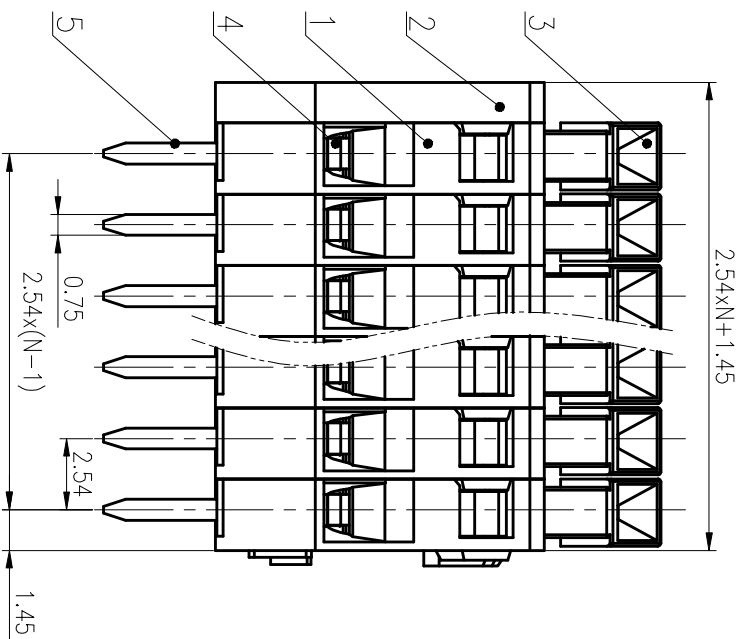
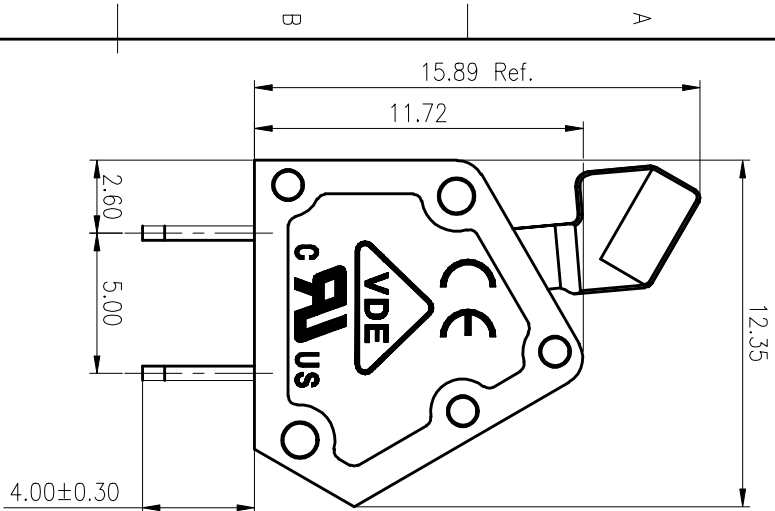


公差等级/General	Tolerances(mm)										0.1/10															
0	>.3	>.6	>.10	>.18	>.30	>.50	>.80	>1.20	>1.80	>2.50	>3.15	>4.00	±Z													
3	~	6	~	10	~	18	~	30	~	50	~	80		~	120	~	180	~	250	~	315	~	400	~	500	~
±0.12	±0.18												±0.22	±0.26	±0.31	±0.37	±0.57	±0.80	±0.93	±1.05	±1.15	±1.60	±2.20	±2.50		



5	Pin header	Copper alloy	Sn Plated	
4	Spring	Stainless steel	/	
3	Button	POM	UL94HB	
2	Cover	PA66	UL94V-0	
1	Housing	PA66	UL94V-0	
ITEM	NAME OF PART	MATERIAL	NOTES	
UL 标准/UL Standard:	B	C	D	
额定电压/电涌/Rated Voltage(V)/Current(A)	150/4	150/4	150/4	
IEC 标准/IEC Standard:	B	C	D	
IEC 标准/IEC Standard:	III/3	III/2	II/2	
过压类别/Overvoltage Category/污秽等级/ Pollution Degree	III/3	III/2	II/2	
额定电压/电涌/Rated Voltage(V)/Current(A)	/	130/6	/	
工频耐压/Withstanding Voltage(V)/min	/	AC1250	/	
绝缘电阻(绝缘和导线)/Wire Range(rigid and flexible)(mm ² /AWG)	0.2~0.5/28~20			
间距/Pitch(mm)/线数/Number of Poles	2.54/N=02~24P			
引线长度/Stripping length(mm)	5~6			
使用温度范围/Operating temperature(°C)	-40~+105			
符合RoHS要求/Conform to RoHS	Yes			
MATERIAL:	SURFACE: /			
MAT NO.:	/			
STATUS:	/			
APPD: Li GL 2020.06.19	NAME: DEGSON® NINGBO DEGSON ELECTRICAL CO.,LTD			
CHKD: Mg EK 2020.06.19	DG240-2.54-XXP-1Y-00A(H)			
DFT: HuangSh 2020.06.19	DRAWING NO.: DG240-2.54-C01			
REV	ECN	DESCRIPTION	DRAFT	DATE
1	2	3	4	5
1/1	SHEET	CUSTOMER DRAWING	SCALE: 4:1	REV T0